

Logitank Klassic LTKKL 80

A self bunded and transportable KLASSIC tank for the safe storage and handling of diesel and oils. Ideal for refuelling vehicles, machinery, equipment and fleet.



Features

- Greater than 110% bunding
- Fluid level dipsticks for tank and interstitial space
- Vent pipes for tank and interstitial space
- Anti-syphon valve, overfill protection and electronic overfill alarm
- Corner container lock castings for ease of transport
- Access manway
- Option of different colours
- Warranty – 5 years structural, 1 year on valves; conditions apply
- Bunded pump bay with lockable weatherproof doors
- Galvanised access ladder and platform; with ladder fitted to either side of the platform (ex-factory)
- Galvanised kick plate and middle rail provided for additional safety of users

Tank Specifications

Description

Safe Fill, litres 75,602

Length, mm 14,630

Width, mm 2,438

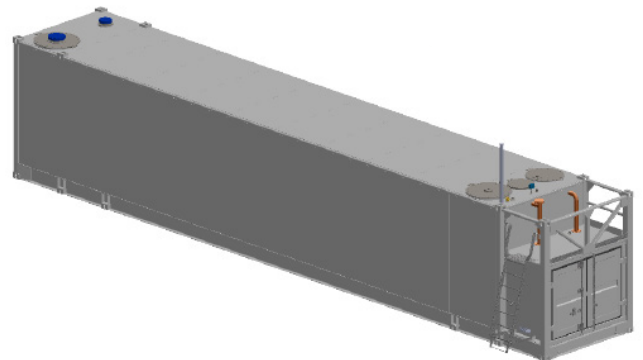
Height, mm 2,896

Tare Weight, kg 17,500

Vent Pipes Standard

Fluid Level Dipsticks Standard

Compliance AS1940, AS1692, UL142, HSW (Haz.Sub.) Reg 2017



AUTHORISED DISTRIBUTOR OF



www.logitank.com.au

Information and photographs are for marketing purposes only and are considered accurate at time of publication. Actual product may differ to images shown due to continual improvement processes, design changes and optional extras. V3417