

Logitank Klassic LTKKL 75

A self bunded and transportable KLASSIC tank for the safe storage and handling of diesel and oils. Ideal for refuelling vehicles, machinery, equipment and fleet.



Features

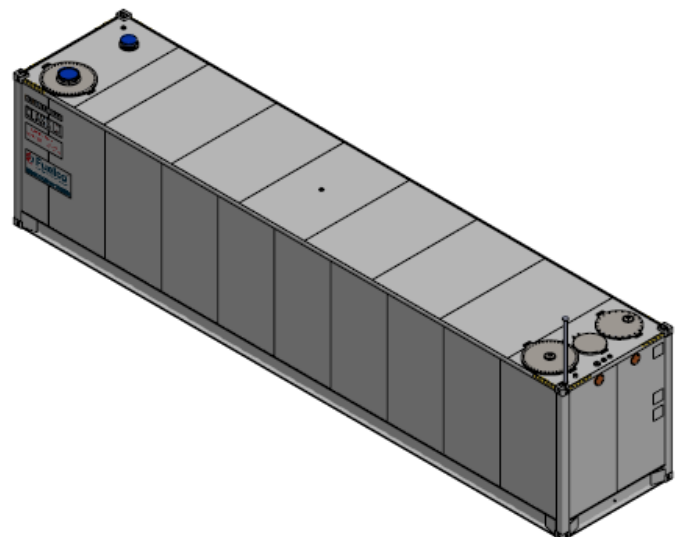
- Greater than 110% bunding
- Fluid level dipsticks for tank and interstitial space
- Vent pipes for tank and interstitial space
- Suction foot valve, overfill protection and electronic overfill alarm
- Corner container lock castings for ease of transport
- Access manway

Options include:

- Inspection ladder
- Multiple compartments
- Clip-on pump bay
- Dispensing and fuel management

Tank Specifications

Description	
Safe Fill, litres	69,700
Length, mm	12,192
Width, mm	2,438
Height, mm	2,896
Tare Weight, kg	14,500
Vent Pipes	Standard
Fluid Level Dipsticks	Standard
Compliance	AS1940, AS1692, UL142, HSW (Haz.Sub.) Reg 2017



Information and photographs are for marketing purposes only and are considered accurate at time of publication. Actual product may differ to images shown due to continual improvement processes, design changes and optional extras. V3417

AUTHORISED DISTRIBUTOR OF



www.logitank.com.au